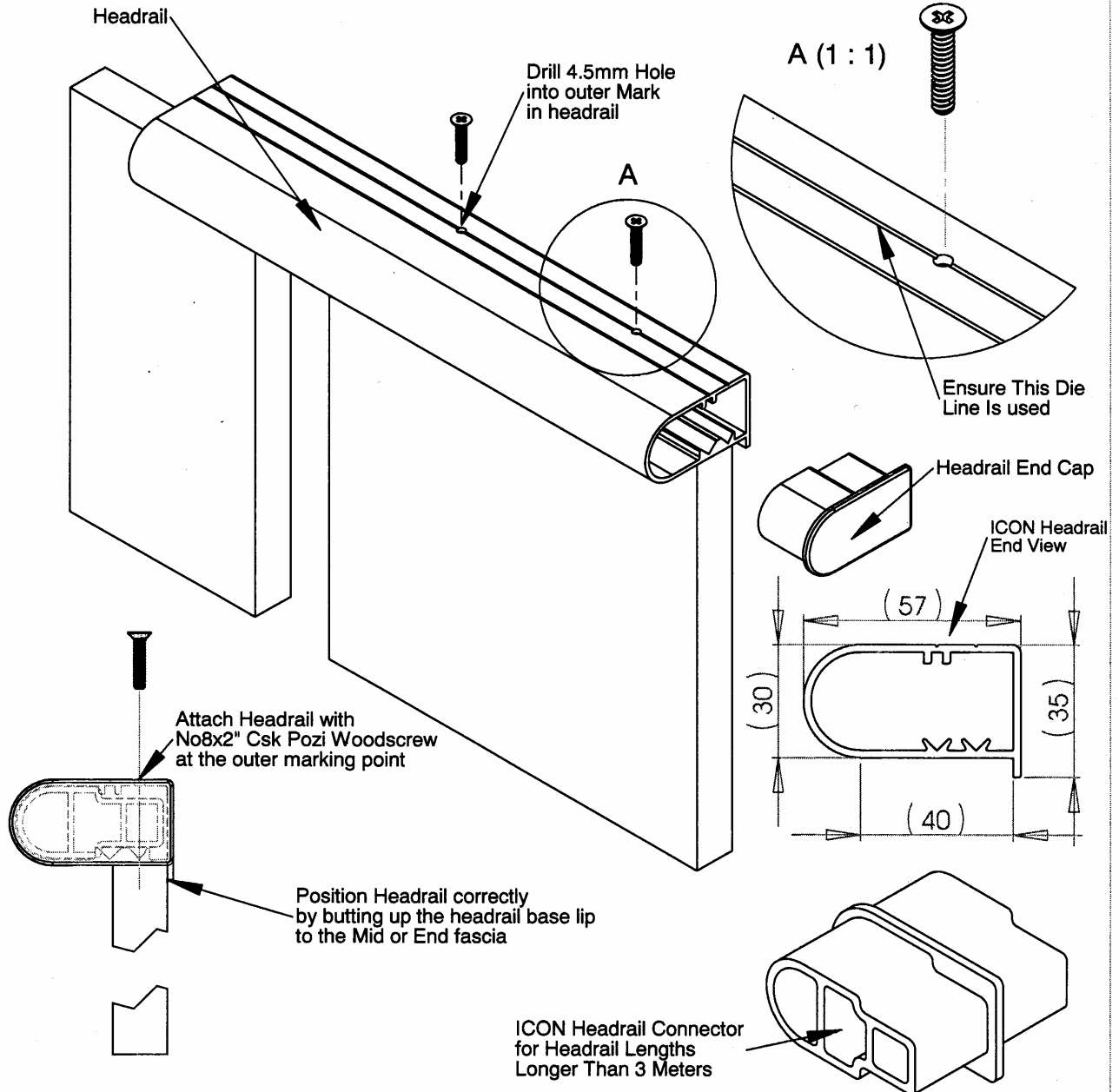


Product Specification Sheet

Part No.	Description	Last Updated
Icon HR03	Icon Headrail 19mm Upward Fixing Details	21/10/02



Headrail Fixing instructions

When Attaching a Headrail

- 1: Offer the headrail into position against the Mid Fascia or End Fascia
- 2: Drill a $\varnothing 4.5$ hole into the headrail as marked and then countersink
- 3: Attach the Headrail to the Mid or End fascia with a No8x2" Csk Pozi Wood Screw
- 4: When the headrail length is greater than 3 Meters, a headrail Connector must be used
- 5: Headrail Connectors must be positioned and secured over a Mid or End Fascia and not over door gap
- 6: Headrail Connectors are secured in place using 2 No8 1/2" Self Tappers